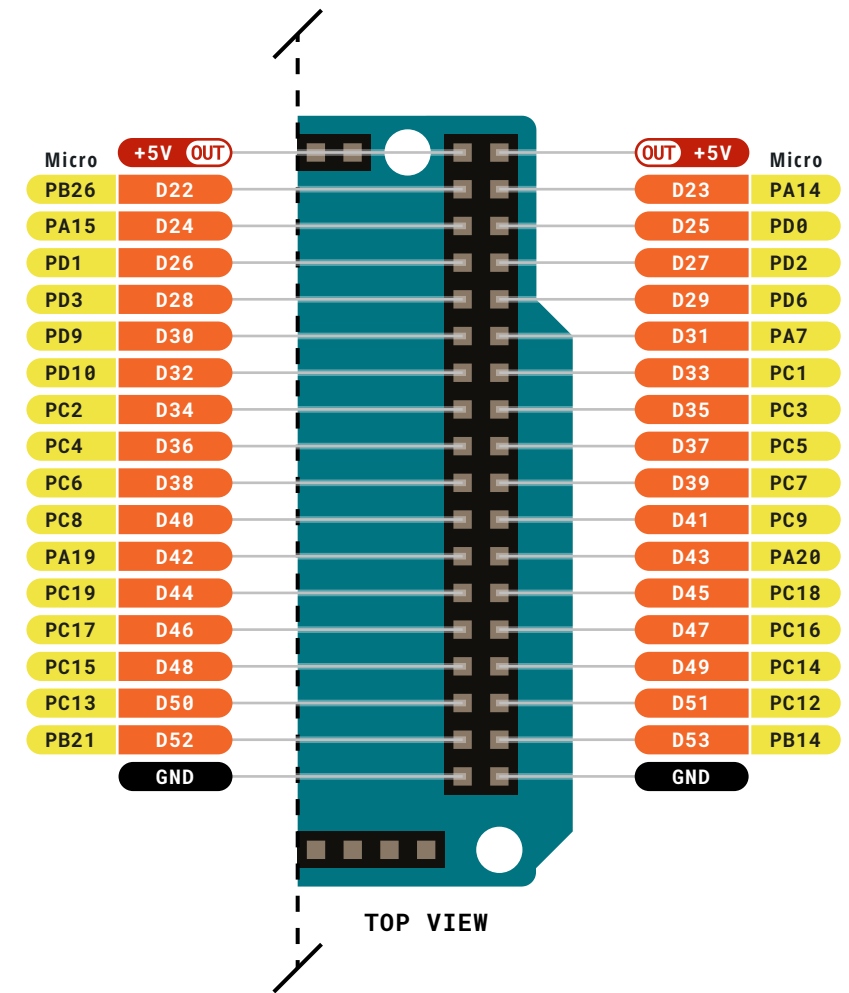
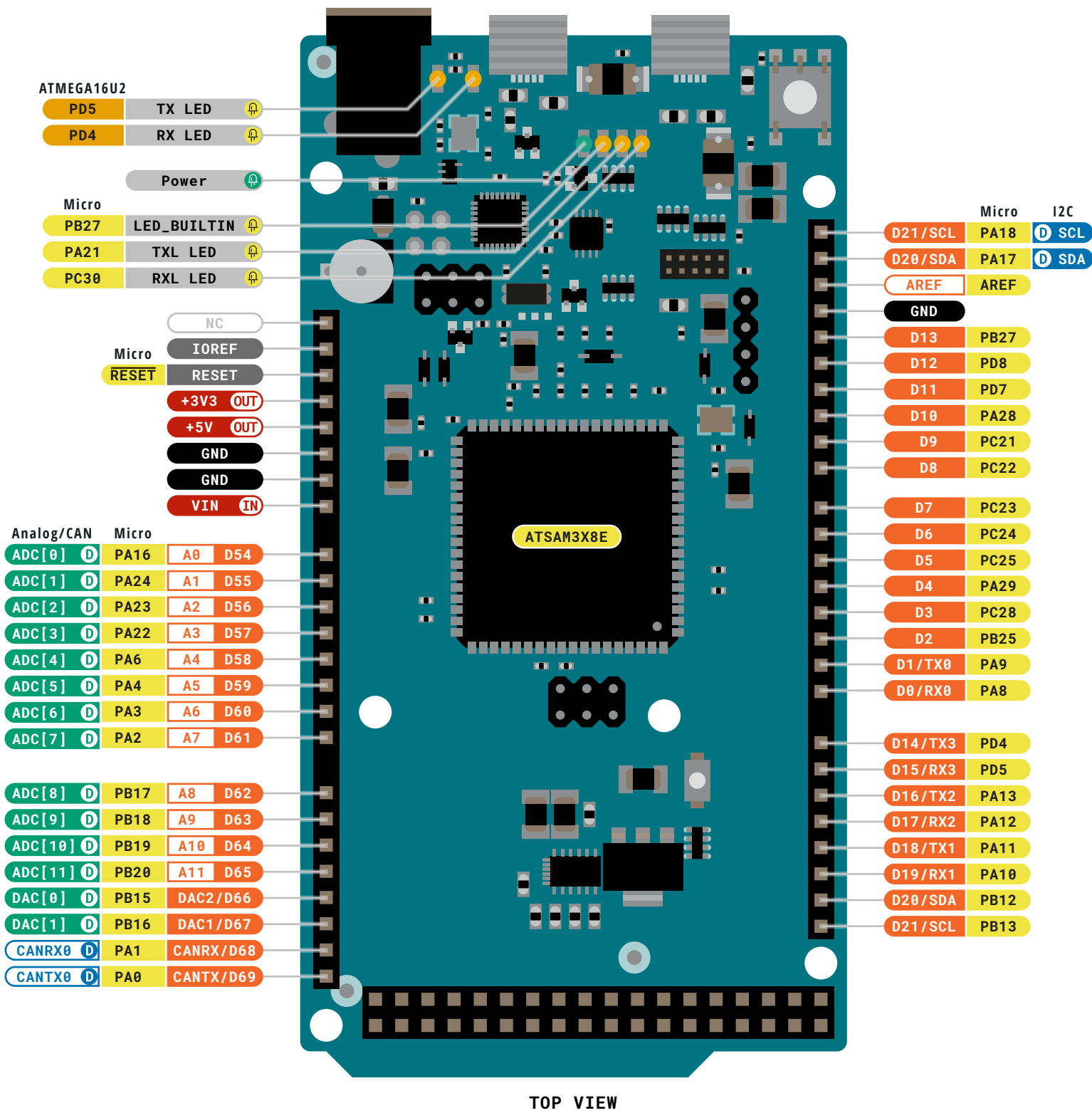


# Digital pins D22-D53



**Legend:**

- Power
- Power Input
- Power Output
- Ground
- GPIO Digital External
- Analog External
- Main Part
- Secondary Part
- Internal Component
- Other Pins (Reset, System Control, Debugging)
- I2C
- SPI
- UART/USART
- Other SERIAL Communication
- Analog
- PWM/Timer
- Default
- Default
- Default
- Default
- LED

**MAXIMUM** current per I/O lines is 130mA

The ADC's channel 15 is not available because connected to the ATSAM3X8E temperature sensor

To check the maximum currents applicable per pins please see the documentation on [DOCS.ARDUINO.CC/HARDWARE/DUE](https://docs.arduino.cc/hardware/duel)

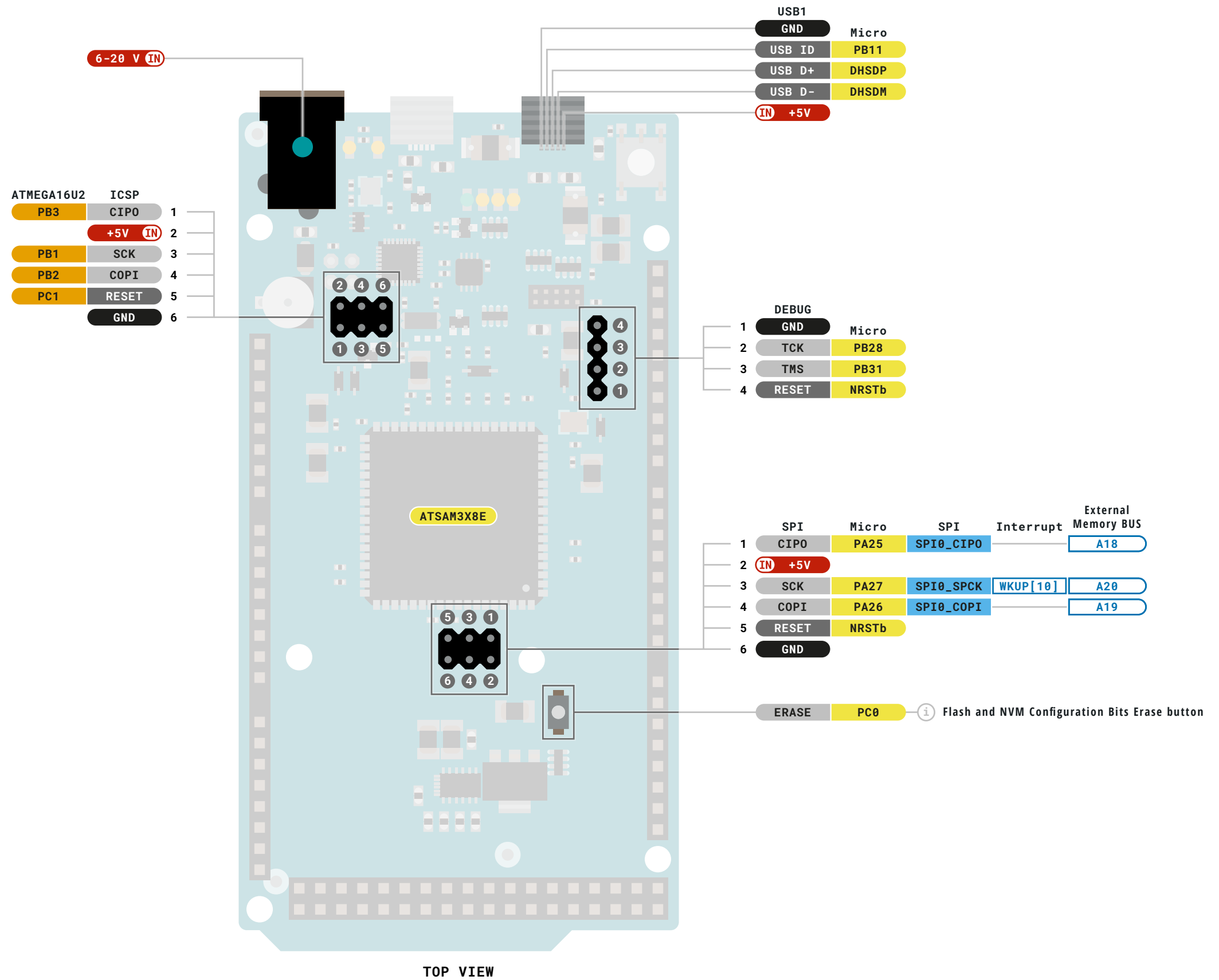
CIP0/COPI have previously been referred to as MISO/MOSI

**ARDUINO DUE BOARD**

SKU code: A000056  
Full Pinout - Page 1 of 8  
Last update: 7 Jul, 2022

**DOCS.ARDUINO.CC**

This work is licensed under the Creative Commons Attribution-ShareAlike 4.0 International License. To view a copy of this license, visit <http://creativecommons.org/licenses/by-sa/4.0/> or send a letter to Creative Commons, PO Box 1866, Mountain View, CA 94042, USA.



**Legend:**

- |        |              |   |                            |         |     |
|--------|--------------|---|----------------------------|---------|-----|
| Power  | Power Input  | GPIO Digital External                         | I2C                        | Default | LED |
| Ground | Power Output | Analog External                               | SPI                        | Default |     |
|        |              | Main Part                                     | UART/USART                 | Default |     |
|        |              | Secondary Part                                | Other SERIAL Communication | Default |     |
|        |              | Internal Component                            | Analog                     |         |     |
|        |              | Other Pins (Reset, System Control, Debugging) | PWM/Timer                  |         |     |

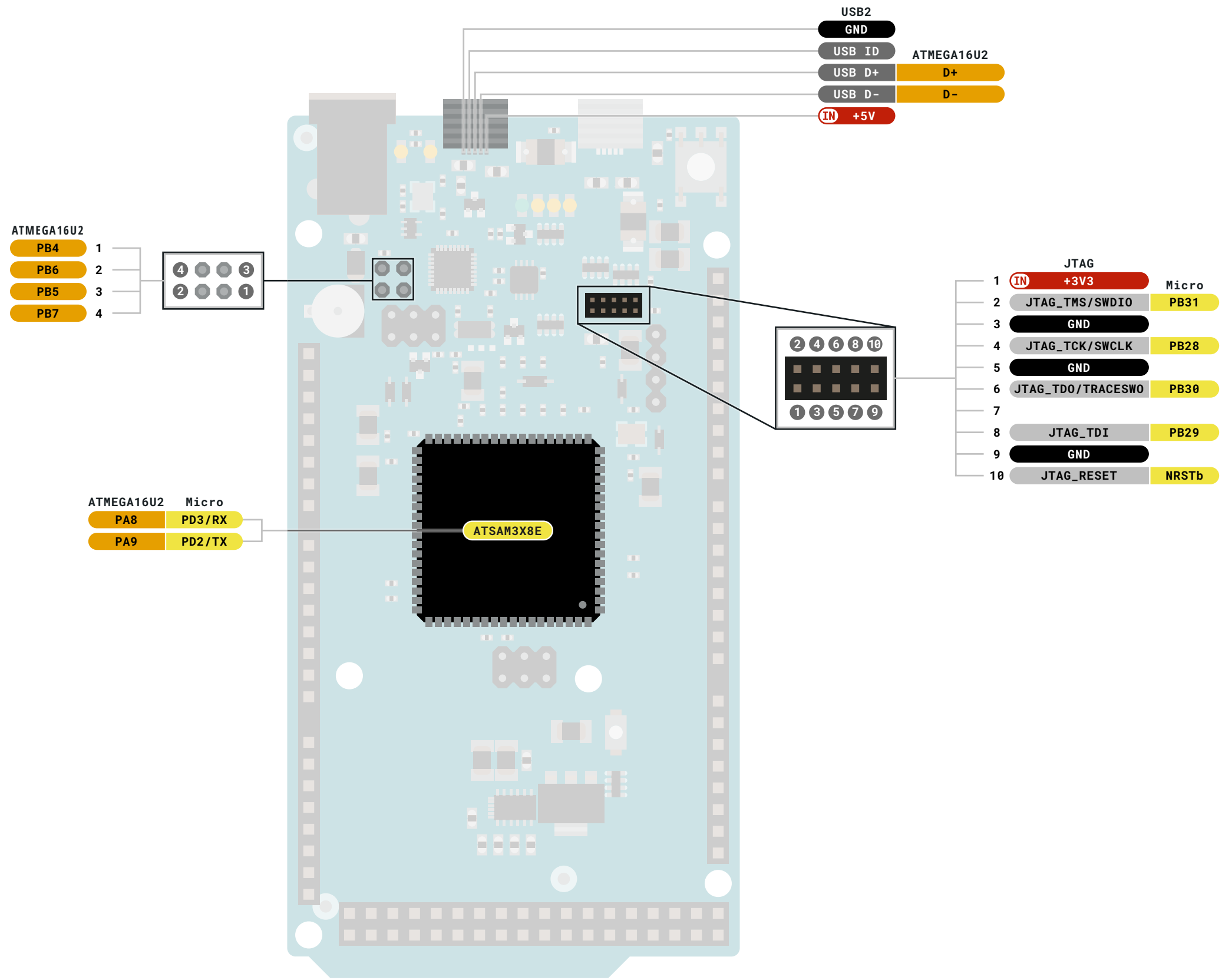
- MAXIMUM** current per I/O lines is 130mA
- The ADC's channel 15 is not available because connected to the ATSAM3X8E temperature sensor
- To check the maximum currents applicable per pins please see the documentation on [DOCS.ARDUINO.CC/HARDWARE/DUE](https://docs.arduino.cc/hardware/due)
- CIP0/COPI have previously been referred to as MISO/MOSI



SKU code: A000056  
Full Pinout - Page 2 of 8  
Last update: 7 Jul, 2022

**DOCS.ARDUINO.CC**

This work is licensed under the Creative Commons Attribution-ShareAlike 4.0 International License. To view a copy of this license, visit <http://creativecommons.org/licenses/by-sa/4.0/> or send a letter to Creative Commons, PO Box 1866, Mountain View, CA 94042, USA.



TOP VIEW

Legend:

- Power
- Power Input
- Power Output
- Ground
- GPIO Digital External
- Analog External
- Main Part
- Secondary Part
- Internal Component
- Other Pins (Reset, System Control, Debugging)
- LED
- RGB LED
- Other

- MAXIMUM** current per I/O lines is 130mA
- The ADC's channel 15 is not available because connected to the ATSAM3X8E temperature sensor
- To check the maximum currents applicable per pins please see the documentation on [DOCS.ARDUINO.CC/HARDWARE/DUE](https://docs.arduino.cc/hardware/due)
- CIP0/COPI have previously been referred to as MISO/MOSI



SKU code: A000056  
Full Pinout - Page 3 of 8  
Last update: 7 Jul, 2022

DOCS.ARDUINO.CC

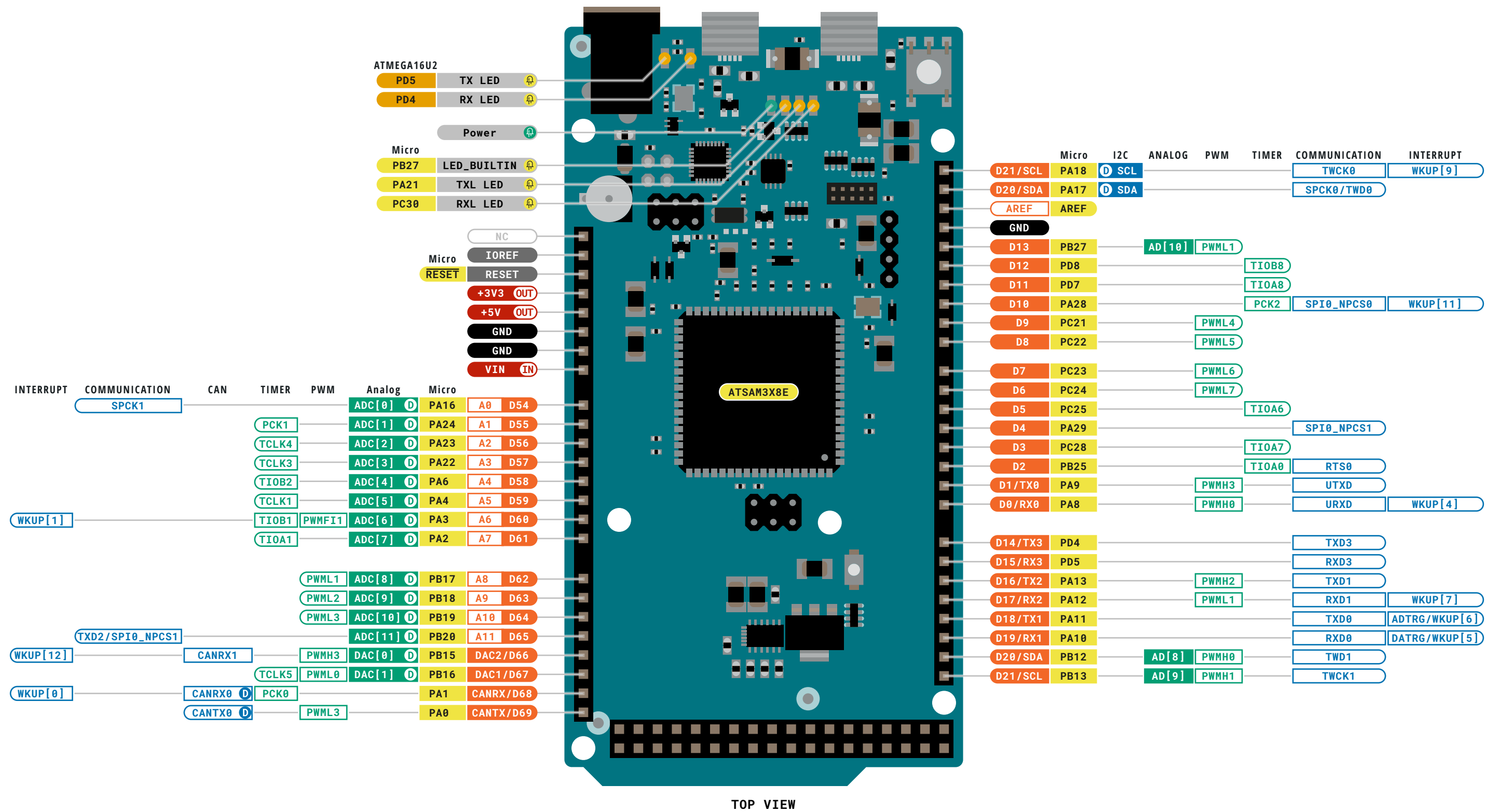
This work is licensed under the Creative Commons Attribution-ShareAlike 4.0 International License. To view a copy of this license, visit <http://creativecommons.org/licenses/by-sa/4.0/> or send a letter to Creative Commons, PO Box 1866, Mountain View, CA 94042, USA.

WARNING!

## Advanced Section

The following information is for advanced use only and may not be officially supported by Arduino software





**Legend:**

- Power
- Power Input
- Power Output
- Ground
- GPIO Digital External
- Analog External
- Main Part
- Secondary Part
- Internal Component
- Other Pins (Reset, System Control, Debugging)
- I2C
- SPI
- UART/USART
- Other SERIAL Communication
- Analog
- PWM/Timer
- Default
- Default
- Default
- Default
- LED

**MAXIMUM** current per I/O lines is 130mA

The ADC's channel 15 is not available because connected to the ATSAM3X8E temperature sensor

To check the maximum currents applicable per pins please see the documentation on [DOCS.ARDUINO.CC/HARDWARE/DUE](https://docs.arduino.cc/hardware/duel)

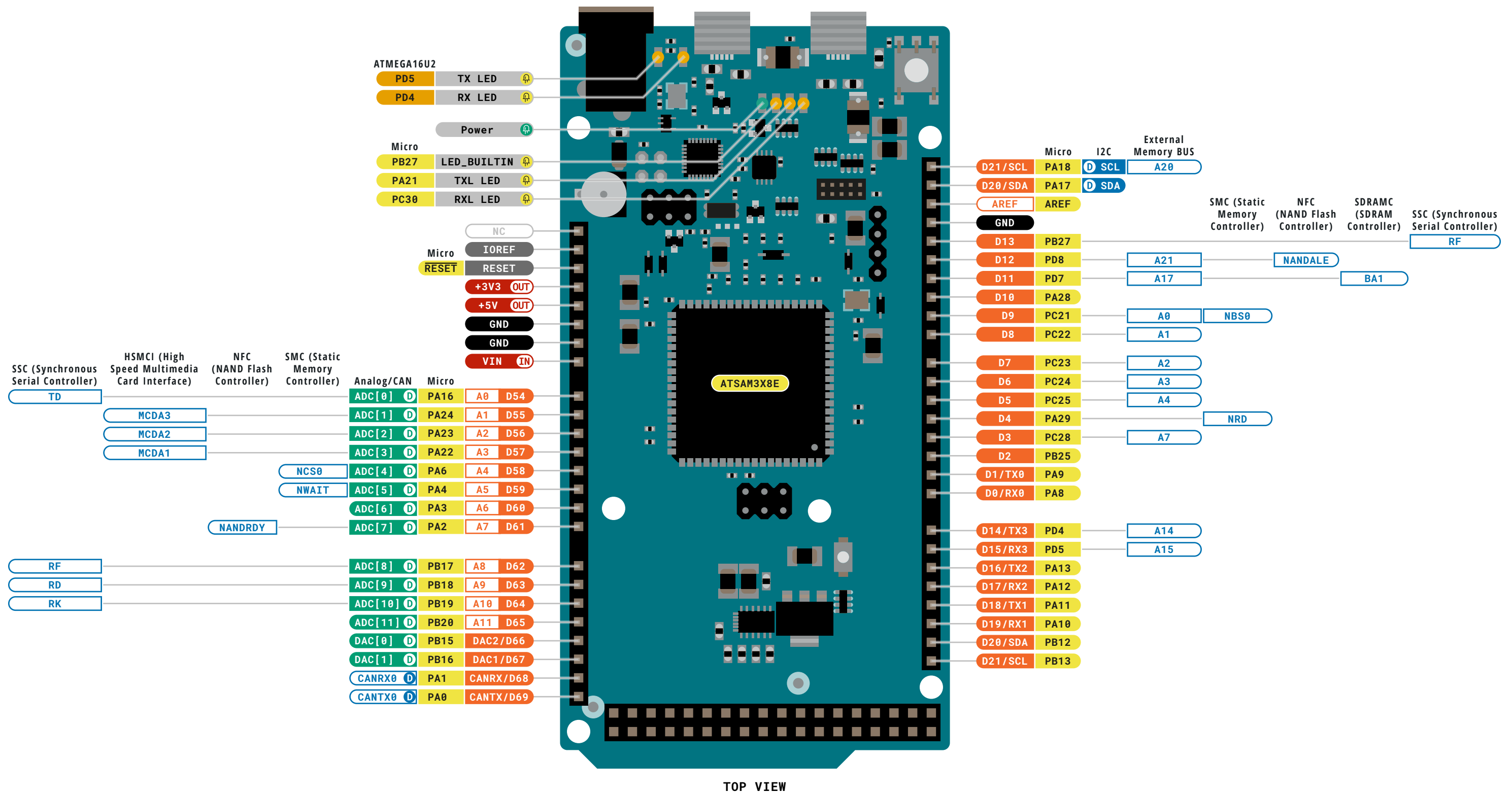
CIP0/COPI have previously been referred to as MISO/MOSI

**ARDUINO DUE BOARD**

SKU code: A000056  
Full Pinout - Page 5 of 8  
Last update: 7 Jul, 2022

**DOCS.ARDUINO.CC**

This work is licensed under the Creative Commons Attribution-ShareAlike 4.0 International License. To view a copy of this license, visit <http://creativecommons.org/licenses/by-sa/4.0/> or send a letter to Creative Commons, PO Box 1866, Mountain View, CA 94042, USA.



**Legend:**

- Power
- Power Input
- Power Output
- Ground
- GPIO Digital External
- Analog External
- Main Part
- Secondary Part
- Internal Component
- Other Pins (Reset, System Control, Debugging)
- I2C
- SPI
- UART/USART
- Other SERIAL Communication
- Analog
- PWM/Timer
- Default
- Default
- Default
- Default
- Default
- LED

**MAXIMUM** current per I/O lines is 130mA

The ADC's channel 15 is not available because connected to the ATSAM3X8E temperature sensor

To check the maximum currents applicable per pins please see the documentation on [DOCS.ARDUINO.CC/HARDWARE/DUE](https://docs.arduino.cc/hardware/due)

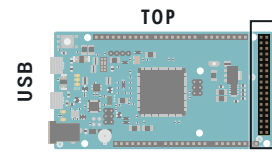
CIP0/COPI have previously been referred to as MISO/MOSI

**ARDUINO DUE BOARD**

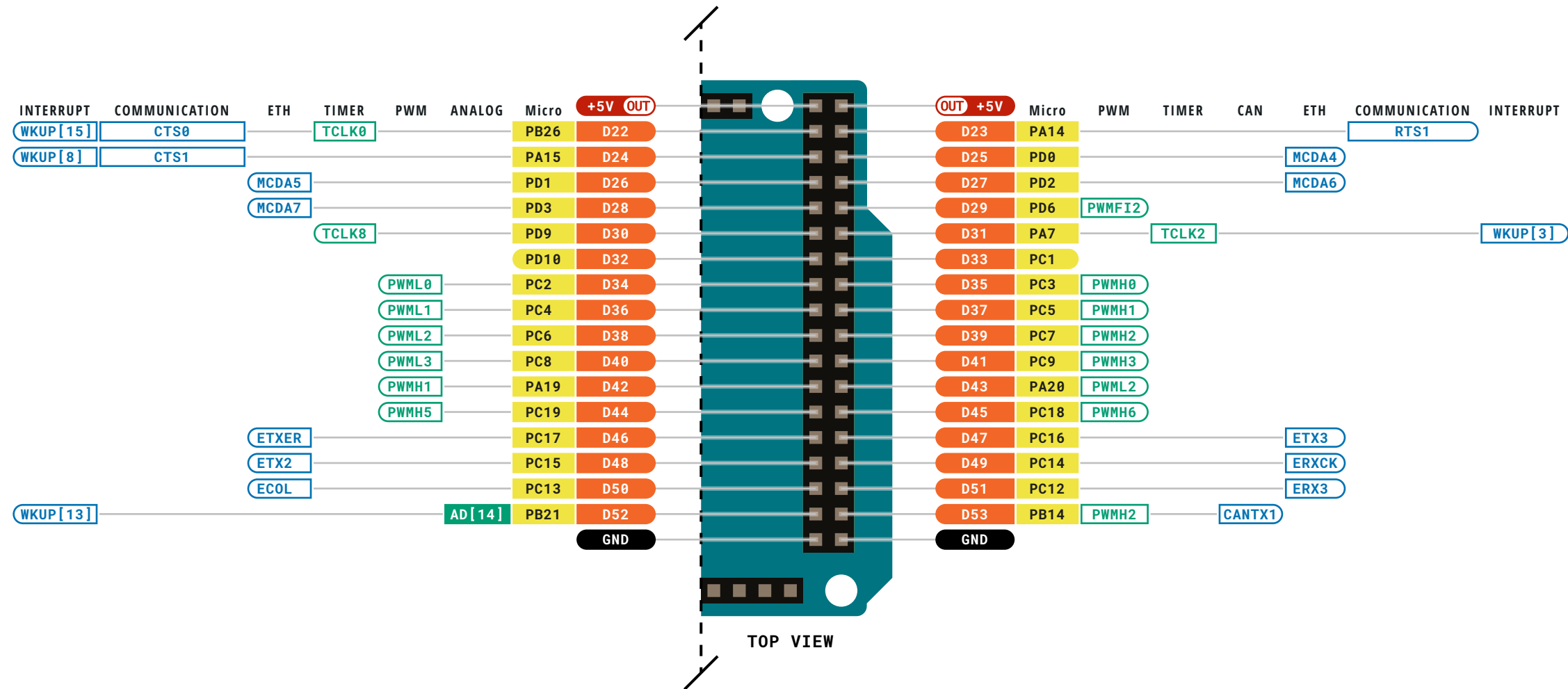
SKU code: A000056  
Full Pinout - Page 6 of 8  
Last update: 7 Jul, 2022

**DOCS.ARDUINO.CC**

This work is licensed under the Creative Commons Attribution-ShareAlike 4.0 International License. To view a copy of this license, visit <http://creativecommons.org/licenses/by-sa/4.0/> or send a letter to Creative Commons, PO Box 1866, Mountain View, CA 94042, USA.



# Digital pins D22-D53



### Legend:

- Power
- Power Input
- Power Output
- Ground

- GPIO Digital External
- Analog External
- Main Part
- Secondary Part
- Internal Component
- Other Pins (Reset, System Control, Debugging)

- I2C
- SPI
- UART/USART
- Other SERIAL Communication
- Analog
- PWM/Timer
- Default
- Default
- Default
- Default

- LED

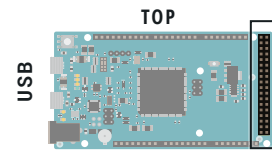
- MAXIMUM** current per I/O lines is 130mA
- The ADC's channel 15 is not available because connected to the ATSAM3X8E temperature sensor
- To check the maximum currents applicable per pins please see the documentation on [DOCS.ARDUINO.CC/HARDWARE/DUE](https://docs.arduino.cc/hardware/due)
- CIP0/COPI have previously been referred to as MISO/MOSI



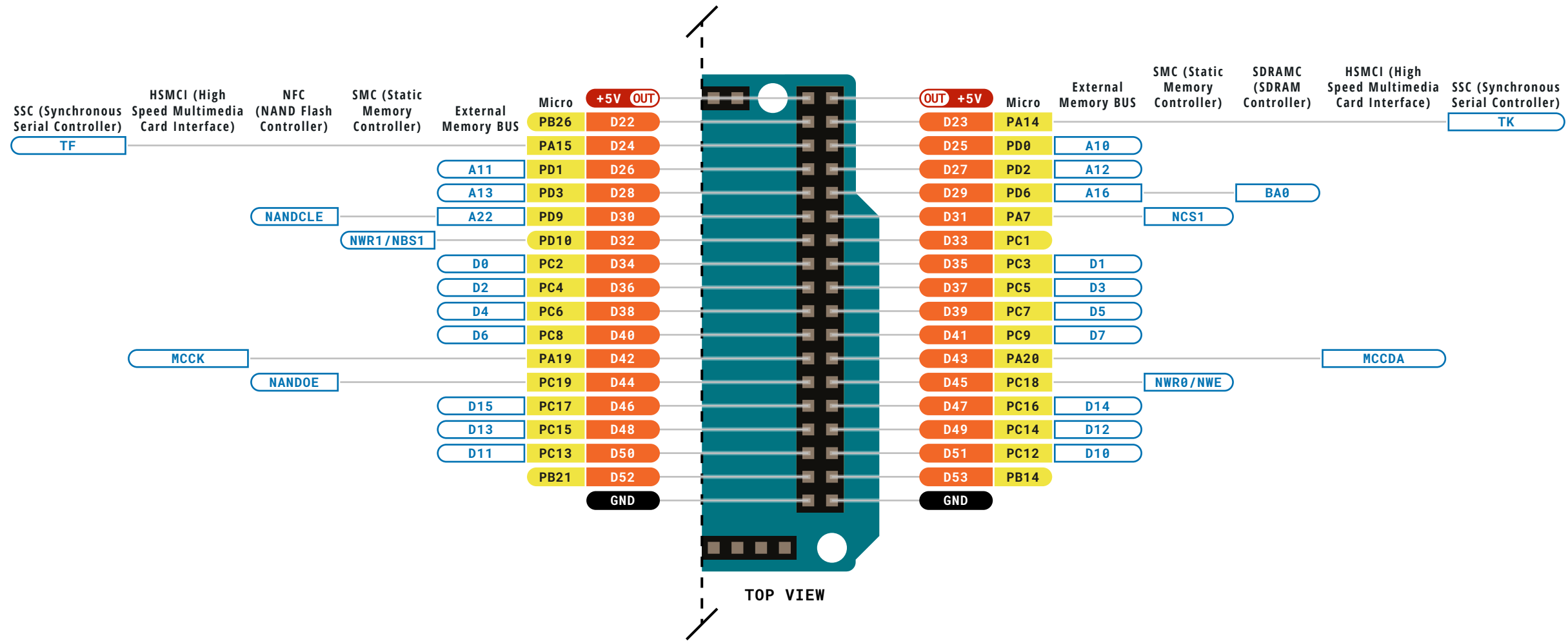
SKU code: A000056  
Full Pinout - Page 7 of 8  
Last update: 7 Jul, 2022

DOCS.ARDUINO.CC

This work is licensed under the Creative Commons Attribution-ShareAlike 4.0 International License. To view a copy of this license, visit <http://creativecommons.org/licenses/by-sa/4.0/> or send a letter to Creative Commons, PO Box 1866, Mountain View, CA 94042, USA.



# Digital pins D22-D53



**Legend:**

|        |              |   |                            |         |     |
|--------|--------------|---|----------------------------|---------|-----|
| Power  | Power Input  | GPIO Digital External                         | I2C                        | Default | LED |
| Ground | Power Output | Analog External                               | SPI                        | Default |     |
|        |              | Main Part                                     | UART/USART                 | Default |     |
|        |              | Secondary Part                                | Other SERIAL Communication | Default |     |
|        |              | Internal Component                            | Analog                     | Default |     |
|        |              | Other Pins (Reset, System Control, Debugging) | PWM/Timer                  |         |     |

**MAXIMUM** current per I/O lines is 130mA

The ADC's channel 15 is not available because connected to the ATSAM3X8E temperature sensor

To check the maximum currents applicable per pins please see the documentation on [DOCS.ARDUINO.CC/HARDWARE/DUE](https://docs.arduino.cc/hardware/duel)

CIP0/COPI have previously been referred to as MISO/MOSI

**ARDUINO DUE BOARD**

SKU code: A000056  
Full Pinout - Page 8 of 8  
Last update: 7 Jul, 2022

**DOCS.ARDUINO.CC** This work is licensed under the Creative Commons Attribution-ShareAlike 4.0 International License. To view a copy of this license, visit <http://creativecommons.org/licenses/by-sa/4.0/> or send a letter to Creative Commons, PO Box 1866, Mountain View, CA 94042, USA.