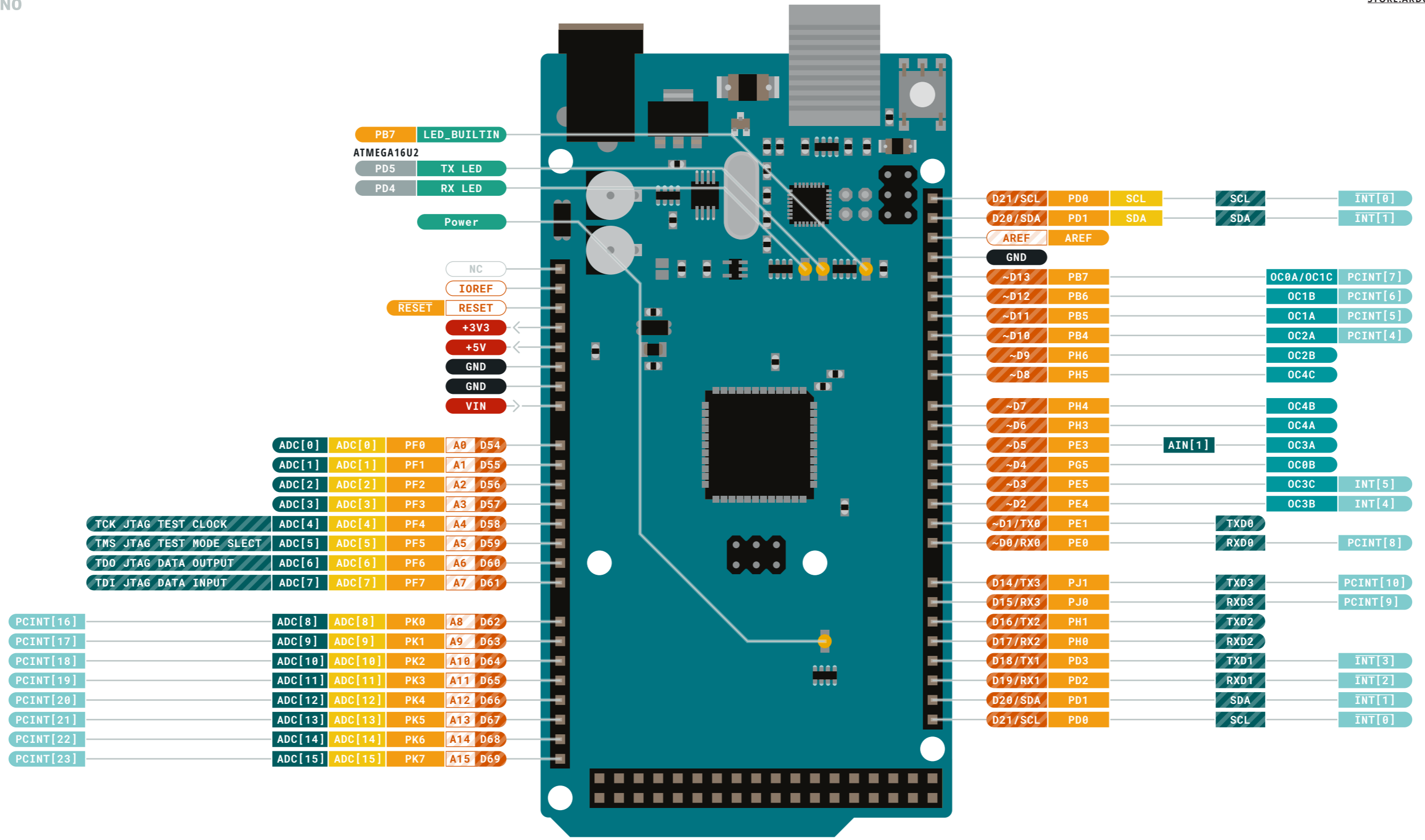


- Ground
- Power
- LED
- Internal Pin
- SWD Pin
- Digital Pin
- Analog Pin
- Other Pin
- Microcontroller's Port
- Default

⚠ **MAXIMUM** current per I/O pin is 20mA **VIN** 6-20 V input to the board.

⚠ **MAXIMUM** current per +3.3V pin is 50mA



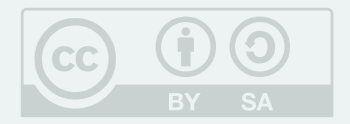


	Ground		Digital Pin		Analog
	Power		Analog Pin		Communication
	LED		Other Pin		Timer
	Internal Pin		Microcontroller's Port		Interrupt
	SWD Pin		Default		Sercom

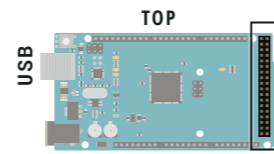
MAXIMUM current per I/O pin is 20mA

MAXIMUM current per +3.3V pin is 50mA

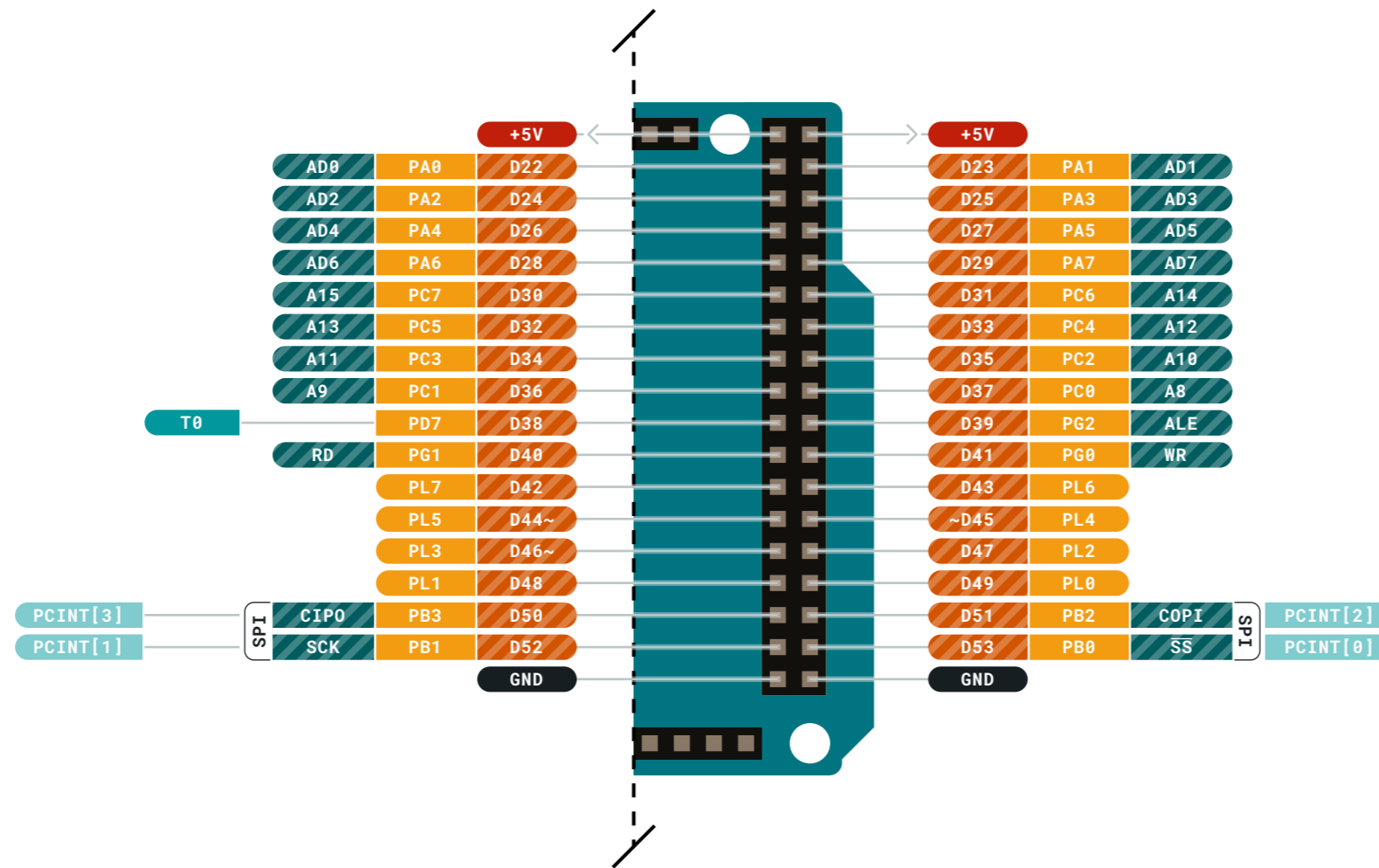
VIN 6-20 V input to the board.



This work is licensed under the Creative Commons Attribution-ShareAlike 4.0 International License. To view a copy of this license, visit <http://creativecommons.org/licenses/by-sa/4.0/> or send a letter to Creative Commons, PO Box 1866, Mountain View, CA 94042, USA.



Digital pins D22-D53



- Ground
- Power
- LED
- Internal Pin
- SWD Pin
- Digital Pin
- Analog Pin
- Other Pin
- Microcontroller's Port
- Default
- Analog
- Communication
- Timer
- Interrupt
- Sercom

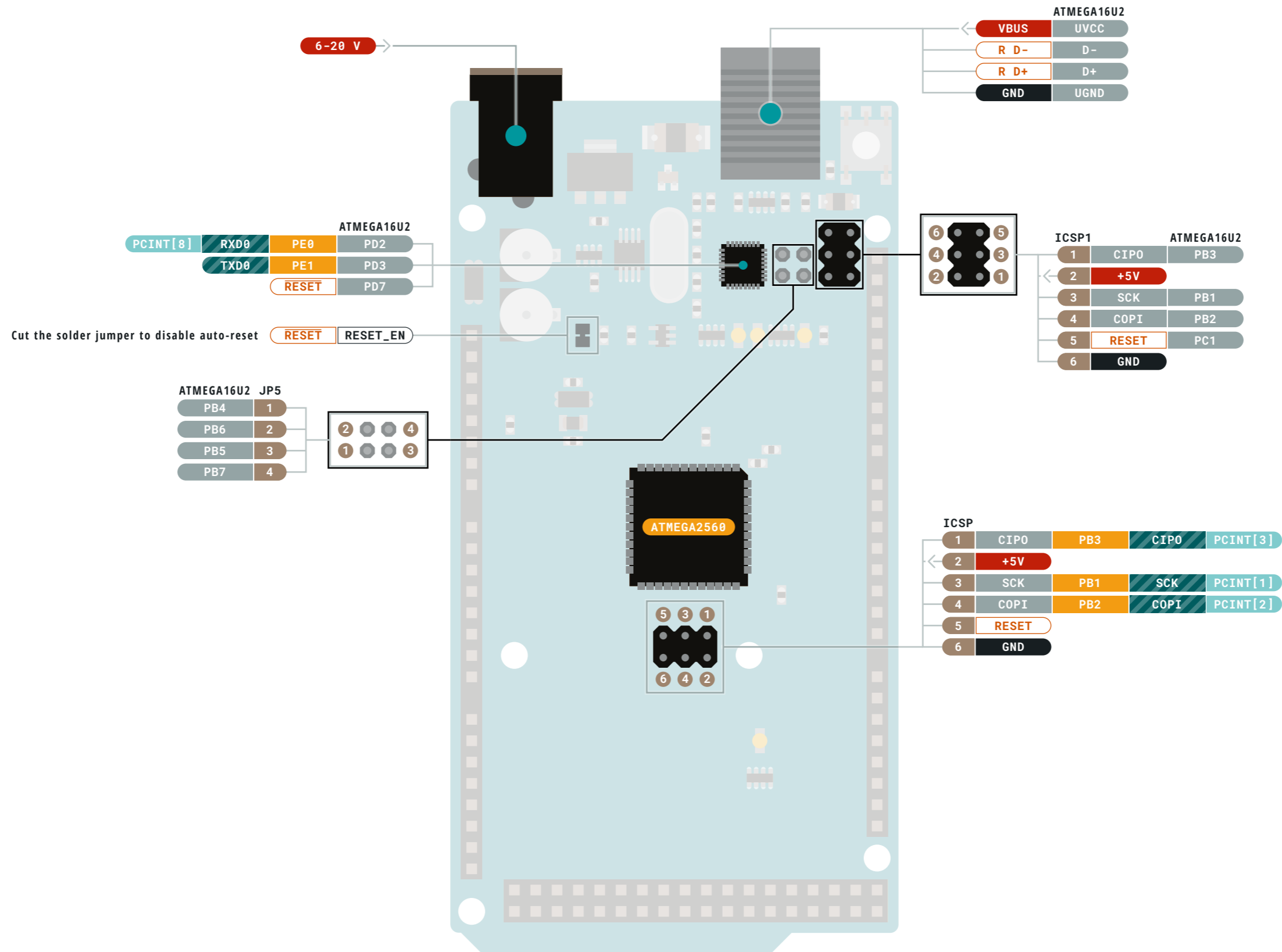
! MAXIMUM current per I/O pin is 20mA

! MAXIMUM current per +3.3V pin is 50mA

VIN 6-20 V input to the board.

NOTE: CIP0/COPI have previously been referred to as MISO/MOSI





- Ground
- Power
- LED
- Internal Pin
- SWD Pin
- Digital Pin
- Analog Pin
- Other Pin
- Microcontroller's Port
- Default
- Analog
- Communication
- Timer
- Interrupt
- Sercom

- ⚠ **MAXIMUM** current per I/O pin is 20mA
- ⚠ **MAXIMUM** current per +3.3V pin is 50mA

VIN 6-20 V input to the board.

NOTE: CIP0/COPI have previously been referred to as MISO/MOSI

